

QA900B SERIES SEAL CHARGER

This series chargers design of sealed structure. It suitable for flooded lead acid batteries, sealed lead acid batteries, Lithium batteries, NI-MH batteries, Nickle Cadmium batteries, etc. They ate used to cycle charge or floating charge battery pack in electric cars, sightseeing vehicles, patrol vehicles, fork lifts, Aerial work platforms. Floor Sweeper, Electric Motorcycles, Electric Sweepers, Electric Surfboards, Electric Golf Carts, Electric Vehicles, Electric Sweepers, electric tricycle, Electric tricycle .

Models	Rated Voltage for Battery Pack	Max Output Voltage Range	Max Output current @220V	CV			cut-off Current
				Lead Acid	Li-ion	LiFePO4	
QA900B-48V15A	48V	39-60V	15A	58.8V	54.6V	58.4V	3.0A
QA900B-60V12A	60V	48-73V	12A	73.5V	67.2V	73.0V	2.0A
QA900B-64V14A	64V	54-78V	14A	88.2V	76.8V	73.0V	1.5A
QA900B-72V12A	72V	60-88V	12A	88.2V	84.0V	84.0V	1.5A

TECHNOLOGY PARAMETERS

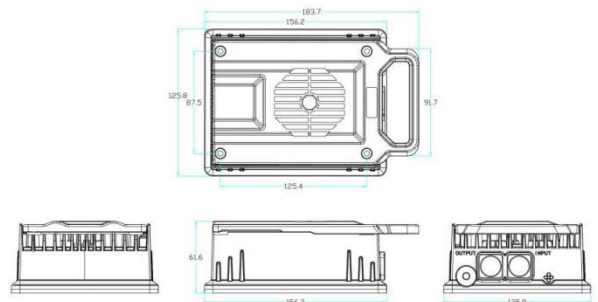
AC Input Voltage Range	180-264VAC; 45-65Hz		
AC Input Max Current	4.5A@220VAC		
Efficiency	≥93.0%	Power Factor	≥0.99
Noise	≤45dB	Protection level	IP65

Product characteristics

SAFFTY	Active PFC and LLC technique is applied for a rapid respond on a fault; Quick active software self -protection and reliable passive hardware self-protection on VOLTAGE&CURRENT; Advanced charging strategy is integrated as a safeguard for battery system.
RELIABILITY	The shell is shaped by integrated die casting technique. And filled with special glue. The active cooling fan is also designed to be a fan with a potting structure and a longer life. Products of Charger Series have been operating in all kinds of industrial environment (Wet. Hot. Cold. High altitude) for more than ten years,the design is proved to pass the verification.
FUCTIONS	Triple Colors Indicator CAN BUS Interface

SIZE AND WEIGHT&TEMPERATURE

Net Weight	1.45kg	Operating Temperature	-30℃—65℃
Storage Temperature	-40℃—95℃	Size	183.7*125.8*61.6



PROTECTION FUNCTIONS

Burnout Protection	Temperature of charger exceeds the limitation. The charge will low down the power load. Temperature of environment exceeds 65℃, the charger will stop charging and switch itself to standby mode until temperature of environment goes down.
Protection for Reverse Connection of Batteries	The circuit inside the charger shuts down with batteries when the batteries are connected reversely and will not damage the charger.
NO-load Protection	There is no output when the batteries are not connected.
Short Circuit Protection	The circuit inside the charger shuts down with batteries when output is short circuit. The charger will start charging only after troubleshooting and restart the charger.
Automatic shutdown when fully charging	The charging automatically turns off after the battery is fully charged according to the charger's judgment.